


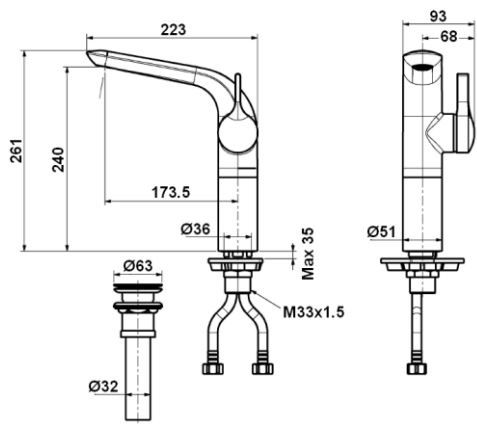




PROJECT		REF		REV	ITEM CODE	
LOCATION		DATE			PAGE	

SANITARY WARE SPECIFICATION SHEET

<p>Item Descriptions</p> <p>American Standard (PRC) "IDS" Chrome plated extended basin mixer; nominated flow rate 6.6 L/min in WELS Grade 2; Registration No. TM 21-0101</p> <p>Dimensions</p> <p>L223 x W93 x H261 mm</p> <p>Model</p> <p>CF-6802.101.50</p> <p>Finish</p> <p>Chrome Plated</p> <p>Manufacturer</p> <p>American Standard (PRC)</p> <p>Source</p> <p>Acme Sanitary Ware Co. Ltd Mr. Eric Wong/ Mr. Don Yuen</p> <p>Contact Tel/Fax</p> <p>(852) 2388-7171 / (852) 2710-8012</p> <p>E-mail</p> <p>acme@acmesanitary.com.hk</p> <p>Website</p> <p>www.acmesanitary.com.hk</p>	<p align="center">Illustration/ Drawing</p> <div style="display: flex; justify-content: space-around; align-items: center;">   </div>  <p align="center">ACME SANITARY WARE</p> 
---	--

Note: Same product but different country of origins:-
 CF-6802.101.50 (PRC) or WF-6802.101.50 (PRC)
 A-6802-110B (Thailand)

** All information of the above is for the reference only. No prior notice is made if any changes.*

註冊號碼 (Registration No.):

TM 21-0101




自願參與用水效益標籤計劃 - 水龍頭
Voluntary Water Efficiency Labelling Scheme - Water Taps



茲證明
This is to certify that

將下列水龍頭在本計劃內註冊：
has registered the following water tap under this scheme :

牌子 / Brand	:	American Standard
型號 / Model	:	CF-6802.101.50 + FF1-CN521A0001650P
種類 / Type	:	Mixing
原產地 / Country or Region Origin	:	China (Mixer) Germany (Flow Controller)

在用水效益標籤上展示的標誌 <i>Symbolic Presentation on the Water Efficiency Label</i>	:		滴水點 <i>Water droplet(s)</i>
用水效益級別 <i>Water Efficiency Grade</i>	:	2	
耗水量 <i>Water Consumption</i>	:	6.6	公升/分鐘 <i>litres/minute</i>

簽發日期：
Date of Issue: 29 March 2021

 水務署
Water Supplies Department



水務署署長(張業駒代行)
for Director of Water Supplies



水務署
Water Supplies Department

總部 Headquarters

香港灣仔告士打道七號入境事務大樓 48 樓

48/F Immigration Tower, 7 Gloucester Road, Wan Chai, Hong Kong

本署檔
Our ref.
來函檔
Your ref.



21/18 Pt.1 T/J(1199)

電話

Tel.

傳真

Fax.

: 2824 0578

14 February 2019



**Approval of “AMERICAN STANDARD” Vessel Mixers
(General Acceptance No. C20190119)**

Your letters ref. WRC/1983 and C-WSD/0490 dated 16 October 2018 and 4 January 2019 respectively refer.

Having considered the test report ref. J23415Arl issued on 5 December 2018 by Nutek Systems (HK) Ltd., this Authority accepts that the fittings described below comply with, and their use when correctly installed does not contravene, the Waterworks Ordinance and Regulations.

Name of Manufacturer: American Standard

Country of Origin: the Mainland of China

Brand: American Standard

Details of Fitting: 1/2" Single lever vessel mixer

Model: CF-6802.101.50
WF-6802.101.50

Body Markings: *American Standard*

Expiry Date: 11 September 2023



This Authority hereby permits the use of the above fittings in fresh water plumbing systems subject to full adherence to Waterworks installation requirements. In particular, you are required to draw your customers' attention to the following requirement-

"The cold water supply to the fittings shall be drawn from the same source that supplies the hot water apparatus so as to provide a balanced pressure and to obviate the risk of scalding in the event of a restriction or failure in the water supply."

A condition of this acceptance is that the fittings to be installed shall be replicas of the samples as certified by the testing agent mentioned above and without modifications. This acceptance may be withdrawn at any time if the standard of the fittings installed fails to meet that of the approved samples or if the fittings are found to be unsuitable for use in fresh water plumbing systems.

This acceptance is only applicable to the main body of the fittings, unless other specified.

For the use of the fittings in any project, the General Acceptance Number of this letter must be quoted as a means of identification of acceptance of the fittings by this Authority.

Should you have any enquiries, please contact our Engineer Mr. Terry KUNG at tel. no. 3583 4086.

Yours faithfully,



(CHAN Chung-kun)

for Director of Water Supplies

Encl.

c.c. WSD 3321/1/82] - without catalogue
 ME/MC] - with soft copy only